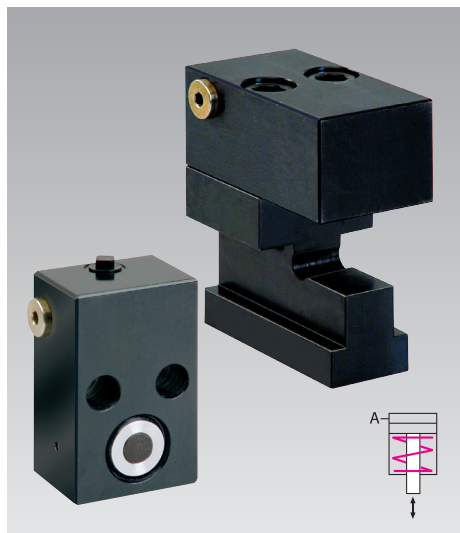




Sliding Clamps classic

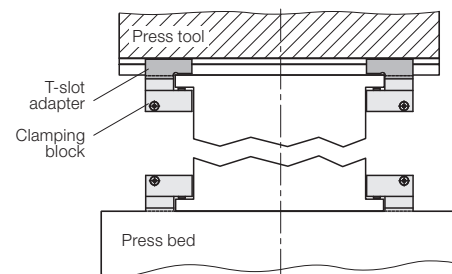
single acting, with spring return

max. operating pressure 400 bar, clamping force from 19 to 78 kN



- Advantages
- Optimum force transmission
- Clamping force from 19 kN up to 78 kN
- Easy mounting
- Suitable for large clamping edge tolerances
- No colliding edges when inserting the dies
- T-slot 18, 22, 28 and 36 mm are available
- Total stroke 8 and 12 mm
- Die standardisation with regard to the width and depth is not required
- Easy to retrofit

Installation option



Application

The "classic" sliding clamp is a very sturdy hydraulic clamping element, used with low space requirements for clamping and locking on machines and plants, on press bed and ram.

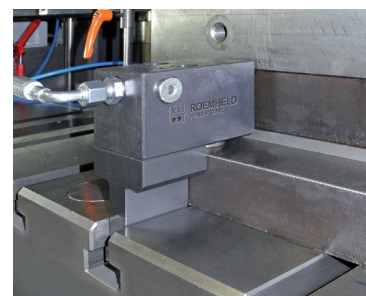
The use is possible at ambient temperatures up to a maximum of 120 °C.

Description

Manual positioning of the sliding clamp in the T-slots of the press ram or bed. Clamping on the die clamping edge by the application of hydraulic pressure to the piston and unclamping by spring force.

The "classic" sliding clamp consists of a hydraulic clamping block which will be fixed with two screws to a T-slot adapter.

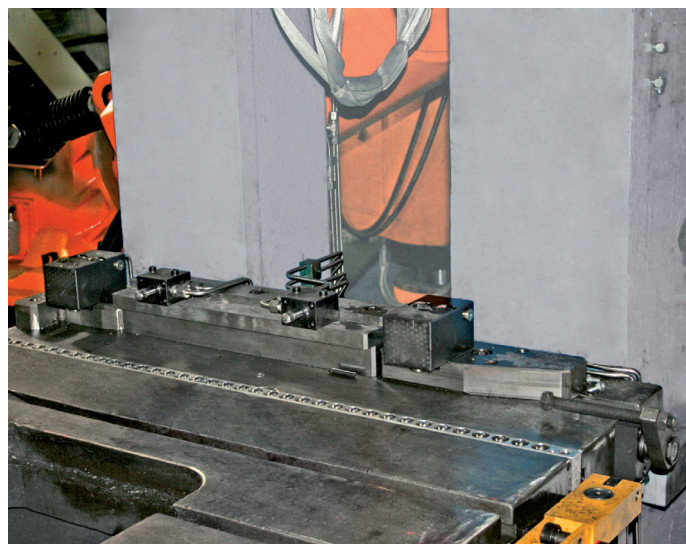
The clamping block can also be directly screwed without T-slot adapter and can be ordered separately.



Application examples



Sliding clamp with T-slot adapter in press bed and ram, roller bars and carrying consoles for tool insertion

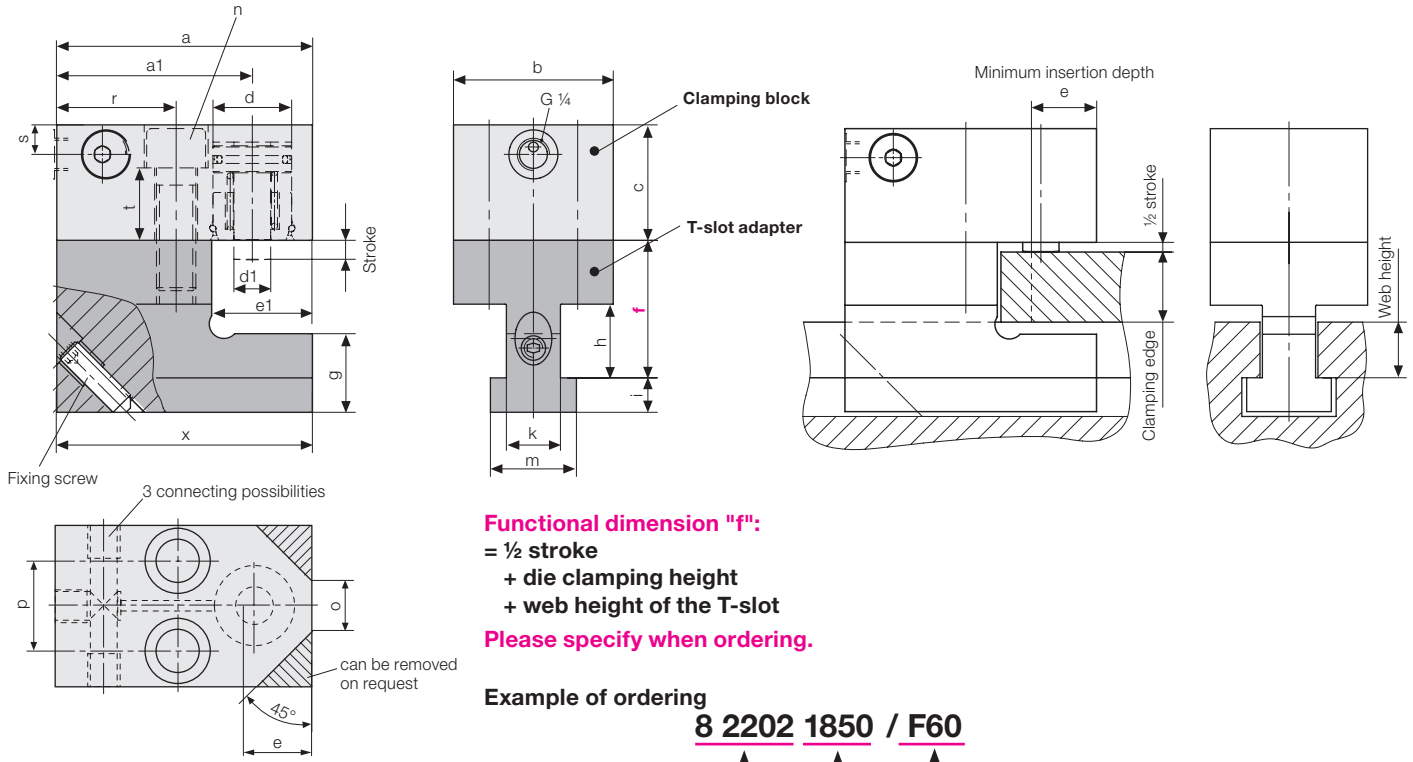


Clamping block separately mounted on bars, ball bars in the press bed, carrying consoles in front. Block cylinders and swing clamps for positioning

Technical data Dimensions

Sliding Clamp classic

Hydraulic sliding clamp complete, with T-slot adapter



Functional dimension "f":

= 1/2 stroke
+ die clamping height
+ web height of the T-slot

Please specify when ordering.

Example of ordering

8 2202 1850 / F60

Sliding clamp T-slot Functional dimension "f" [mm]
Clamping force: 19.6 kN 18 mm Please specify when ordering

T-slot as per DIN 650	[mm]	18	22	22	22	28	28	28
Clamping force at 400 bar	[kN]	19.6	19.6	32	50	32	50	78
Stroke	[mm]	8	8	8	8	8	8	12
Oil volume	[cm ³]	4	4	7	10	7	10	24
Dimension "f" min.	[mm]	42	50	50	50	55	55	60
Dimension "f" max.	[mm]	90	106	106	106	112	112	117
a	[mm]	95	95	104	111	104	111	132
a1	[mm]	77	77	81	85	81	85	99
b	[mm]	65	65	65	65	65	65	80
c	[mm]	40	40	47	50	47	50	75
d	[mm]	25	25	32	40	32	40	50
d1	[mm]	15	15	15	20	15	20	25
e (min. insertion depth)	[mm]	23	23	28	31	28	31	38
e1	[mm]	32	32	41	48	41	48	60
g	[mm]	24	32	32	32	42	42	42
h	[mm]	25	30	30	30	37	37	37
i	[mm]	10	14	14	14	18	18	18
k	[mm]	18	22	22	22	28	28	28
m	[mm]	28	35	35	35	44	44	44
n (screw DIN 912, 10.9)		M16	M16	M16	M16	M16	M16	M20
o	[mm]	18	18	20	20	20	20	28
p	[mm]	36	36	36	36	36	36	43
r	[mm]	50	50	50	50	50	50	57
s	[mm]	12	12	12	12	12	12	17.5
t	[mm]	24	24	29	32	29	32	53
x	[mm]	95	104	104	104	104	104	132

Clamping block with T-slot adapter

Weight	[kg]	2.9	3.2	4.0	4.3	4.5	4.7	9.3
--------	------	-----	-----	-----	-----	-----	-----	-----

Part no.	822021850	822022250	822032250	822042250	822032850	822042850	822052850
-----------------	------------------	------------------	------------------	------------------	------------------	------------------	------------------

Clamping block, separate (supplied without fixing screws)

Weight	[kg]	1.6	1.6	2.0	2.3	2.0	2.3	4.9
--------	------	-----	-----	-----	-----	-----	-----	-----

Part no.	822021301	822021301	822031301	822041301	822031301	822041301	822051301
-----------------	------------------	------------------	------------------	------------------	------------------	------------------	------------------

Please consult us if aggressive spray is used.

Max. operating pressure 400 bar, max. operating temperature 120 °C.

Further sizes and special versions are available on request.

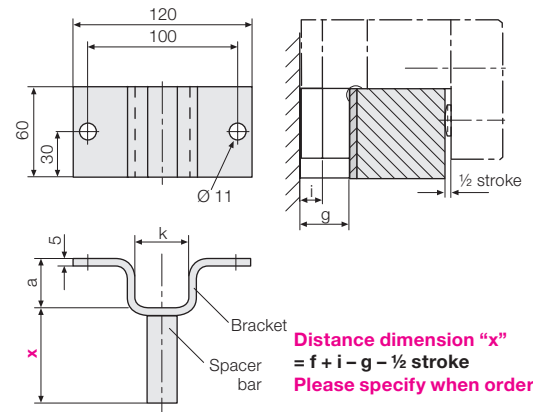
Parking station

accommodates the sliding clamp during die change

T-slot as per DIN 650 [mm]	18	22	28
a [mm]	25	33	43
k [mm]	30	37	46
i [mm]	10	14	18
g [mm]	24	32	42

Parking station complete (with bracket and spacer bar)

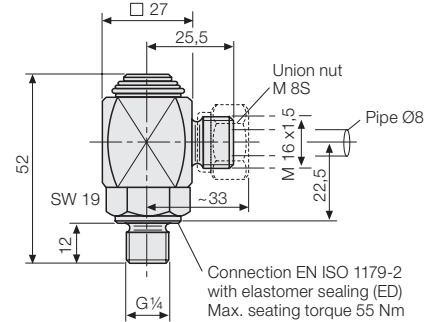
Part no.	82754 1850	82754 2250	82754 2850
Bracket			
Part no.	2754 180	2754 220	2754 280
Spacer bar			
Part no.	2754 500	2754 500	2754 500



Angular rotary coupling (M 8S / G 1/4)

Part no. 9208 176

For easier handling when changing dies.
Max. operating pressure 400 bar

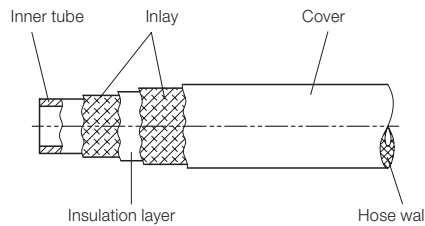


Hydraulic high-pressure hoses

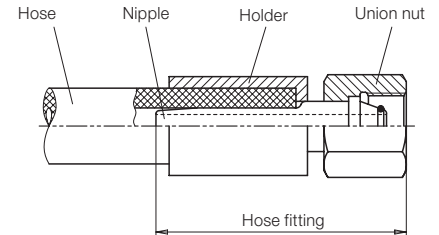
assembled ready for connection
max. operating pressure 250 / 500 bar

High-pressure hoses are used for energy and signal transmission in hydraulic systems. The hose lengths should be generously dimensioned to avoid kinks, abrasion marks, torsion, tensile and compressive stress and unacceptable bending radii.

Hose structure



Hose union



High-pressure hose	ND	4	4	6.3	6
Max. operating pressure [bar]		250	500	250	500
Port size		8L	8S	8L	8S
Union nut		m8L (M 14 x 1.5)	m8S (M 16 x 1.5)	m8L (M 14 x 1.5)	m8S (M 16 x 1.5)
SW [mm]		17	19	17	19

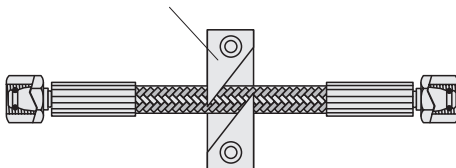
Preferred lengths	L =	[mm]	93751 00500	93752 00500	93206 00500	93706 00500
	500	[mm]	93751 01000	93752 01000	93206 01000	93706 01000
	1000	[mm]	93751 01600	93752 01600	93206 01600	93706 01600
	1600	[mm]	93751 02500	93752 02500	93206 02500	93706 02500
	2500	[mm]				

Other hose connections left / right on request. For further information and technical data, see data sheet WZ 11.3800

Accessory

Hose holder made from Delrin

Part no. 55065 0003



Other accessories

Hydraulic power units

see product group 7

Hydraulic accessories

see product group 11