



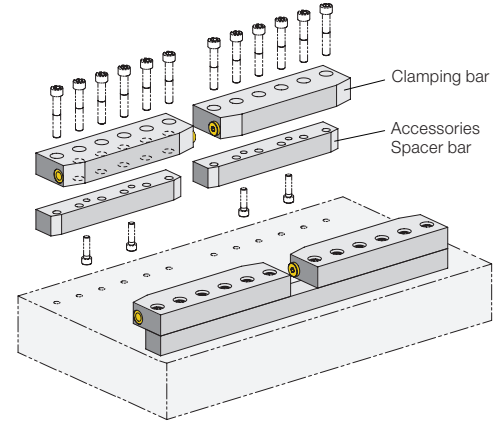
Clamping Bars

single acting with spring return, with press-in or built-in pistons
clamping force up to 48 kN, piston stroke 6 or 8 mm



Advantages

- Piston stroke 6 or 8 mm
- Flat and compact design
- Fully resilient stroke limitation
- Easy installation
- Easy to retrofit



Application

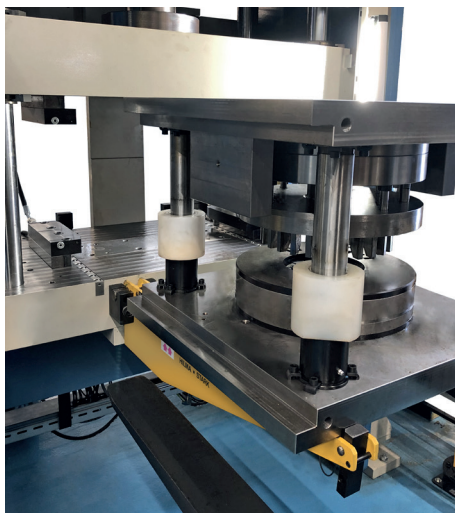
The clamping bars are used permanently installed on press beds and rams, on machines and plants for clamping and locking.

Description

The clamping bar is directly screwed on the press bed or ram using a spacer bar. Clamping is carried out on the die clamping edge by applying hydraulic pressure to the 5 pistons which are arranged side by side with a pressure medium and mechanical unclamping by a spring return. Hydraulic oil is supplied through G 1/4 ports provided on both sides. Flat design with die inlet chamfer. Clamping force up to 48 kN uniformly distributed over 5 pistons.

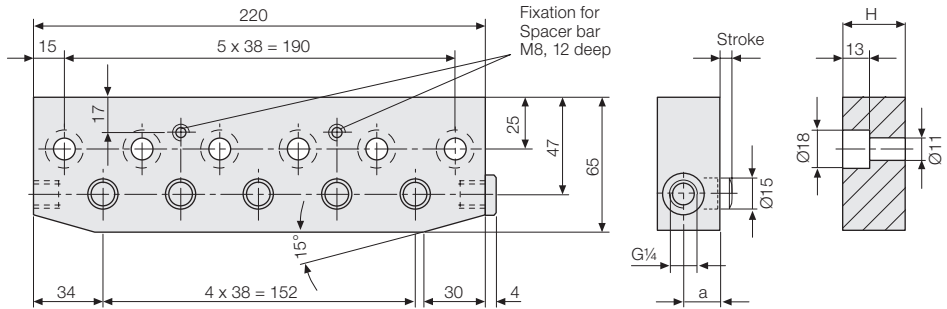
When using several clamping bars in a row, the elements are interconnected by means of hoses or pipes.

Application example



Clamping bars installed in press bed and ram. Easy loading of dies by die changing consoles and hydraulic ball bars installed in the T-slots of the press bed.

Dimensions



All dimensions in mm

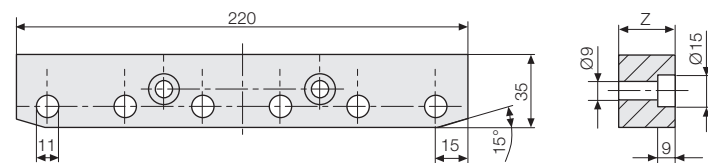
Technical data

	Version with press-in pistons	Version B built-in pistons
Clamping force at max. operating pressure	[kN] 35	48
Max. operating pressure	[bar] 400	200
Clamping force at 100 bar	[kN] 8.7	24.0
No. of pistons	5	5
Piston/Piston rod Ø	[mm] 23/15	25/15
Stroke	[mm] 6	8
Clamping bar height H	[mm] 30	40
a	[mm] 18	29
Oil volume	[cm ³] 14.7	19.6
Weight	[kg] 2.8	3.5
Part no.	2095120	820960250

Accessories

Spacer bar

to obtain the required clamping edge height



All dimensions in mm

Height Z	[mm]	28	43
for clamping edge	[mm]	25 ± 1.5	40 ± 1.5
Part no.		520710040	520710071

Other heights on request