

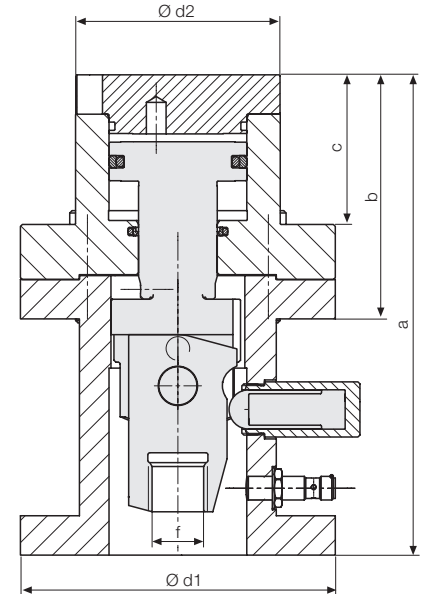


**Pivot and Pull Clamps**  
double acting, max. operating pressure 400 bar



**Advantages**

- High adaptability to varying clamping edge heights
- High operational safety by position monitoring and automatic motion sequence
- The tie rod can be pivoted, therefore no collision edges
- When inserting the die
- Optimum utilisation of the ram area
- Easy installation
- Very suitable for retrofitting
- Temperature stable up to 85 °C



Max. flow rate: 16 cm<sup>3</sup>

**Description**

A control mechanism translates the stroke of the double-acting piston into a tilting and lifting movement of the tie rod. For releasing the die, the tie rod pivots by 15°.

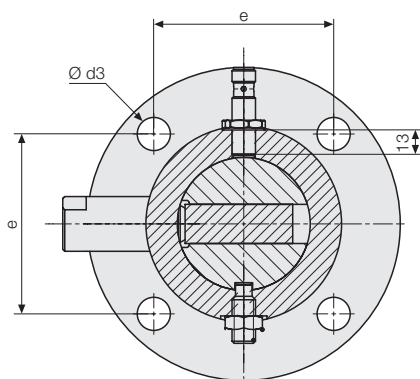
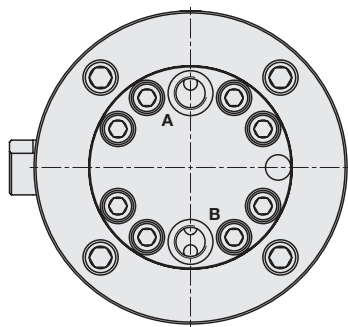
The clamping force is transmitted to the clamping point in the axial direction of the tie rod. The clamping and unclamping positions are monitored by inductive proximity switches. Higher temperatures on request.

**Application**

Pivot and pull clamps are suitable for automatic clamping of dies on press rams.

**Position monitoring**

Rated operating distance S <sub>N</sub>	[mm]	2
Ambient temperature T <sub>A</sub>	[°C]	-40 ... +85
Operating voltage U <sub>B</sub>	[VDC]	10 – 30
Constant current	[mA]	200
Switching function		Interlock (PNP)

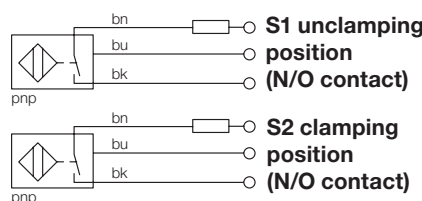


Clamping force at 400 bar*	[kN]	104	160
Clamping stroke max.	[mm]	7	7
Clamping range	[mm]	15 – 22	15 – 22
Total stroke	[mm]	24	26
Swing stroke	[mm]	10	10
Oil volume clamping	[cm <sup>3</sup> ]	52	108
Oil volume unclamping	[cm <sup>3</sup> ]	77	158
a	[mm]	244	348
b	[mm]	124	147
c	[mm]	76	87
d1 Ø	[mm]	160	192
d2 Ø	[mm]	104	126
d3 Ø	[mm]	17	21
e	[mm]	92	114
f	[mm]	M30	M36

**Part no.** **821851000** **821861000**

\* Other versions on request

**Initial settings**



**Accessories**

10 m connecting cable for inductive proximity switches  
**Part no. 5700014**

5 m connecting cable angled at 90  
**Part no. 209750024**