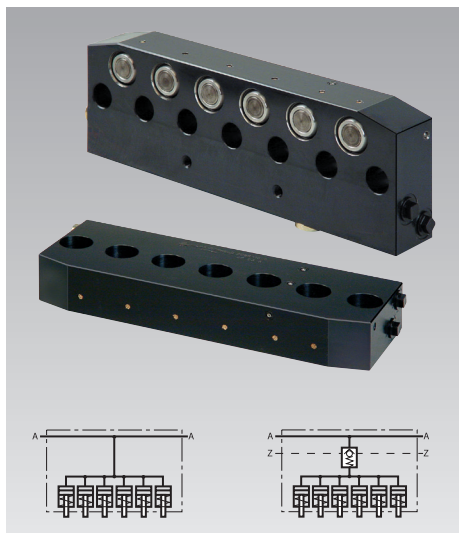




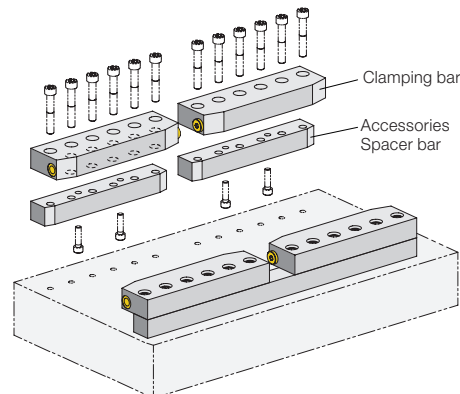
Clamping Bars

single acting with spring return, with built-in pistons
clamping force up to 116 kN, piston stroke 8 mm



Advantages

- Piston stroke 8 mm
- Arrangement in series of several clamping bars with plug-in connectors
- Version with and without check valve
- Flat and compact design
- Fully resilient stroke limitation
- Easy installation
- Easy to retrofit



Application

The clamping bars are used permanently installed on press beds and rams, on machines and plants for clamping and locking.

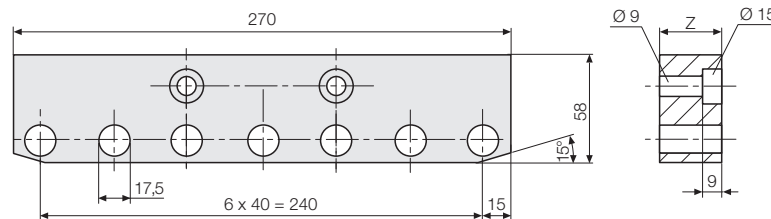
Description

The clamping bar is directly screwed on the press bed or ram using a spacer bar. Clamping is carried out on the die clamping edge by applying hydraulic pressure to the 2, 3 or 6 pistons which are arranged side by side with a pressure medium and mechanical unclamping by a spring return. Hydraulic oil is supplied through G 1/4 ports provided on both sides. Flat design with die inlet chamfer.

Accessories

Spacer bar

to obtain the required clamping edge height



All dimensions in mm

Height Z	[mm]	28	53	75
for clamping edge	[mm]	25 ± 1,5	50 ± 1,5	72 ± 1,5
Part no.		5.2071.0024	5.2071.0032	5.2071.0081

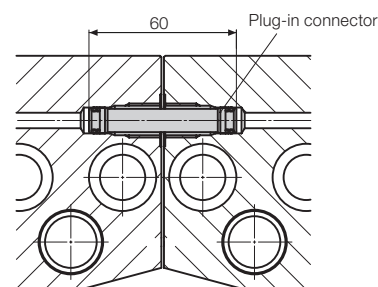
Other heights on request

Application example



Retrofit to an existing double-column press. Die insertion facilitated by chamfered spacer bars and ball bars.

Plug-in connector



Other dimensions on request

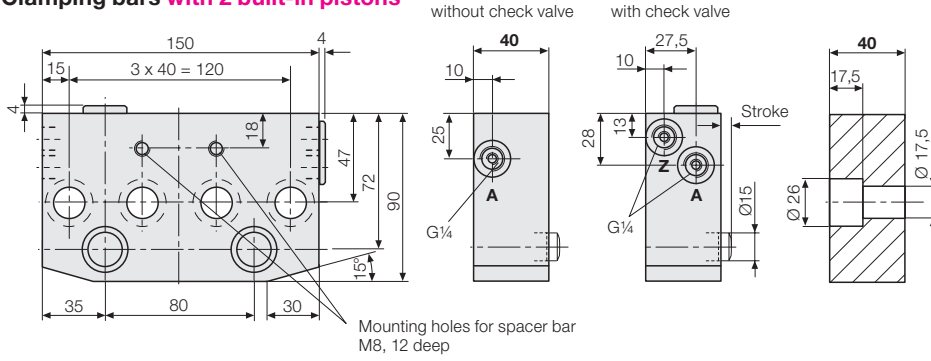
Plug-in connectors for clamping bars arranged in series.

When using several clamping bars in a row, the hydraulic ports are connected by means of pipes or plug-in connectors (see figure).

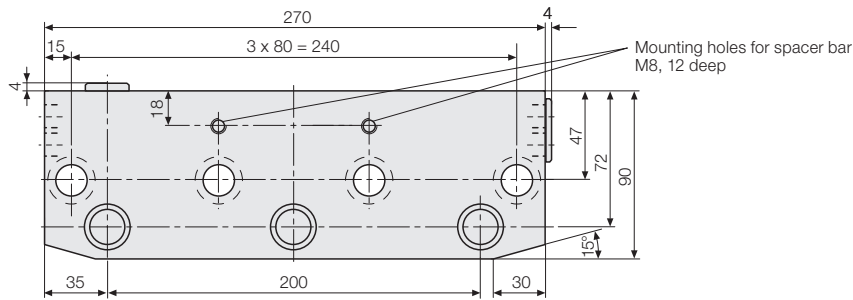
Part no. 805300040

Technical data Dimensions

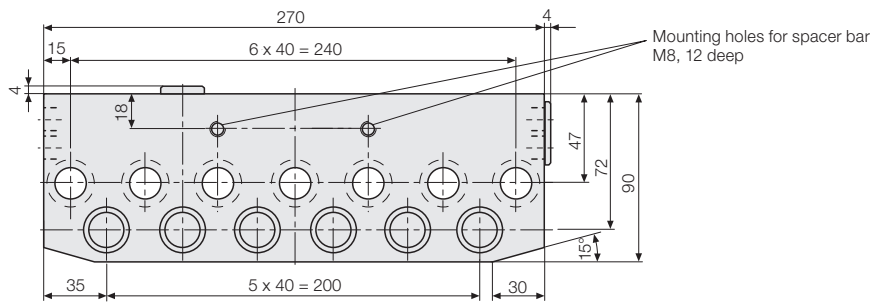
Clamping bars with 2 built-in pistons



Clamping bars with 3 built-in pistons



Clamping bars with 6 built-in pistons



All dimensions in mm

Technical data

Clamping force at max. operating pressure	[kN]	38.6	58	116
Max. operating pressure	[bar]	400	400	400
Clamping force at 100 bar	[kN]	9.65	14.5	29
No. of pistons		2	3	6
Piston/Piston rod Ø	[mm]	25/15	25/15	25/15
Stroke	[mm]	8	8	8
Oil volume clamping	[cm ³]	7.8	11.6	23.2
Weight	[kg]	3.5	6.9	7.2
without check valve	Part no.	820960650	820960450	820960850
with check valve	Part no.	820960750	820960550	820961050