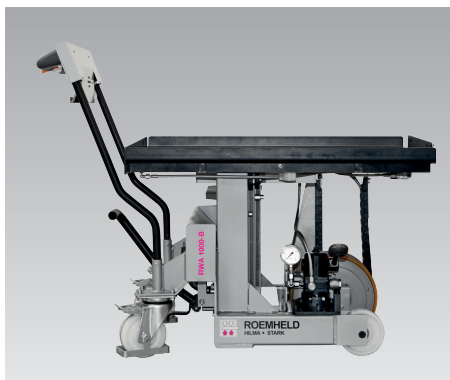


Die changing cart RW 1000/RWA 1000

manually moveable, without or with integrated auxiliary drive, with safety docking station, max. load capacity 1000 kg



Application

Die changing carts RW/RWA 1000 facilitate the handling of medium-weight dies and enable dies weighing up to 1000 kg to be safely transported in a way that saves effort and time. All cart types are specifically designed for pressing and punching dies as well as for injection and casting moulds.

Description

Die changing cart RW 1000 is moved manually; for added convenience, the RWA 1000 version is equipped with a battery-powered auxiliary drive for easier transportation. Version -B of the die changing cart is also equipped with a bridge at the front for docking onto the press bed. The die changing table of all versions is equipped with ball inserts which facilitate the manual insertion of the dies. The height of the table can be adjusted via a hydraulic lifting column with precision lowering using a foot lever.

Safety devices

Insertable safety bars on the die changing table secure the die on all sides from falling during transport. For transport, the centre of gravity of the load must be positioned in the centre of the cart and the lifting columns must be completely lowered. During transport, the balls in the changing table are always lowered and the die is secured against slipping.

Safety docking station

The docking hooks (2 pieces included in our delivery) or the docking bar (1 piece included in our delivery) for mounting on the press or changing table (accessory) ensure precise locking of the die changing cart. The ball inserts are lifted onto the die changing cart without a bridge by successfully docking onto the press bed. The die weight is supported entirely at the press bed. In version -B, with attached bridge, the ball inserts can only be lifted using a hydraulic foot pump when successfully docked to the docking bar on the press bed and with the bridge aligned horizontally.

Advantages

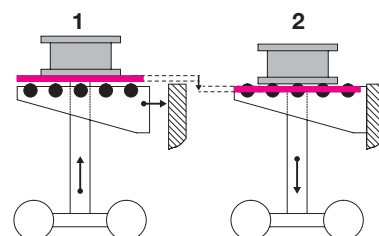
- Fast, safe and time-saving die change
- Precise positioning thanks to docking station
- Version with battery-powered auxiliary drive
- Version with attached bridge
- Securing of die to prevent falling
- High safety thanks to docking hooks and lowerable ball bars

1. Transport

- Lifting column extended
- Ball inserts lowered
- Die on table plate

2. Docking

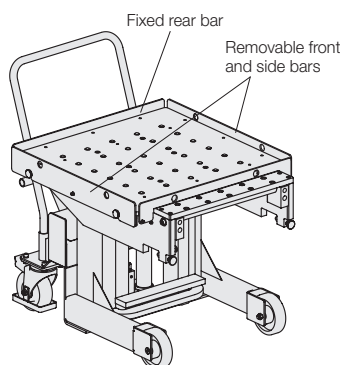
- Lifting column lowered
- Ball inserts lifted
- Die on ball inserts



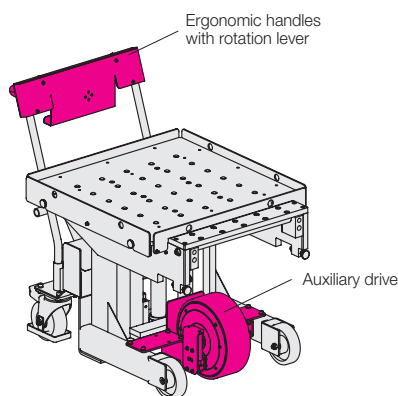
Version of the die changing cart without bridge with safety docking station and ball table

Versions

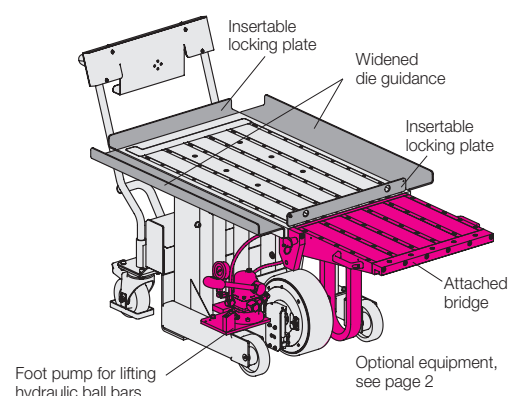
RW 1000
see page 2



RWA 1000 with auxiliary drive
see page 3



RW/RWA 1000-B with attached bridge
see page 4

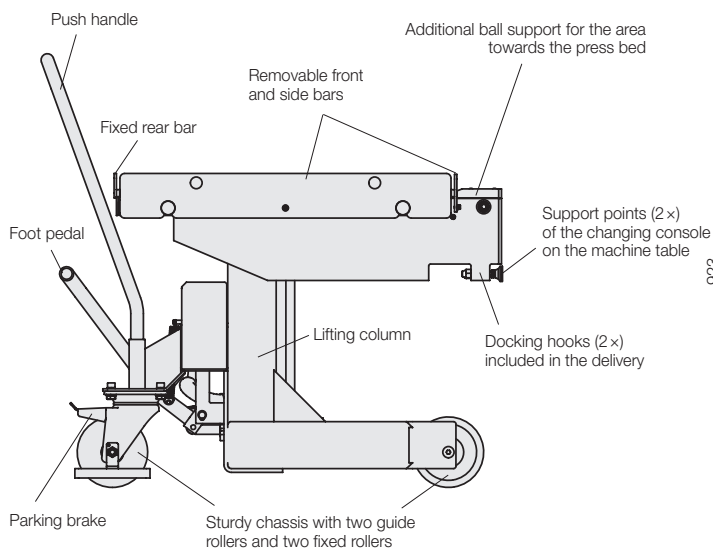


Die changing cart RW1000

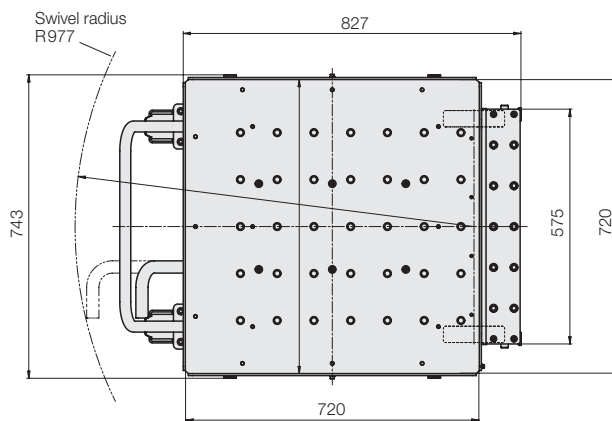
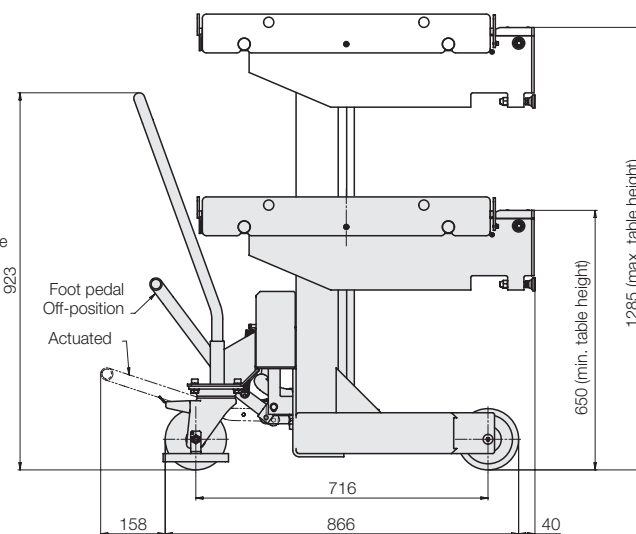
Technical data • Dimensions

Die changing cart RW 1000

Design



Dimensions



Technical data

Max. load capacity: 1,000 kg

Total stroke	[mm]	700
Usable stroke	[mm]	635
Table size A x B	[mm]	720 x 720
Part no.		88913 1000

Delivery:

- Changing carts
- Changing table with ball casters
- Safety docking station
- Docking hooks (2 pcs.) for the press bed
- Insertable side and front bars
- Auxiliary drive can be retrofitted

Docking hooks (1 set = 2 pcs.) extra

Part no. 78913 0001

Accessories

see page 5

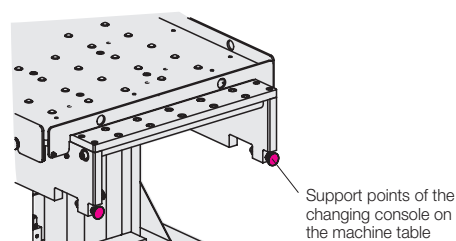
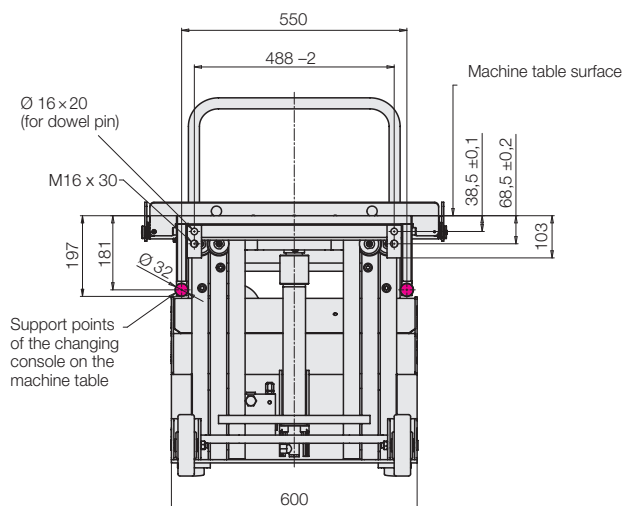
Optional equipment

see page 6

Versions as per customer's request

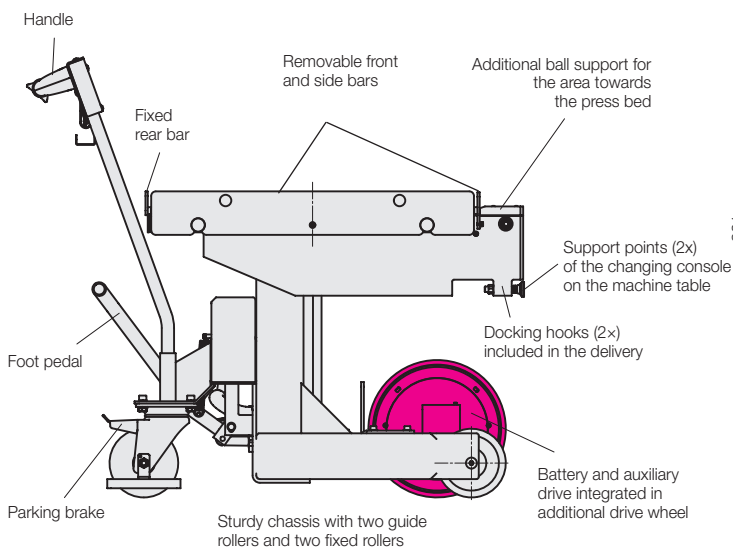
- Individual dimensions of table size
- Individual ball spacing
- Height adaptor for adjusting the stroke range
- Widened lateral die guide
- Lateral separator plates, can be lowered

Please contact us.

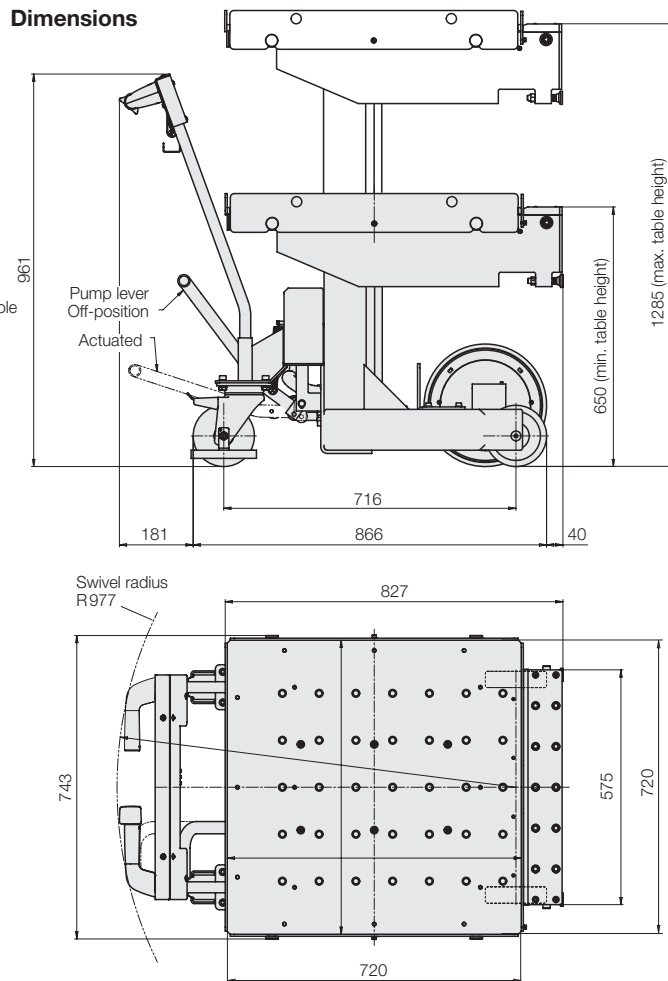


Die changing cart with auxiliary drive RWA 1000

Design



Dimensions



Delivery:

- Changing cart with auxiliary drive
- Battery charger (Type S, S_US or Q selectable)
- Changing table with ball casters
- Safety docking station
- Docking hooks (2 pcs.) for the press bed
- Insertable side and front bars

Docking hooks (1 set = 2 pcs.) extra

Part no. 789130001

Technical data

Max. load capacity: 1,000 kg

Total stroke	[mm]	700
Usable stroke	[mm]	635
Table size AxB	[mm]	720 x 720

Part no. 88913 1001 X

Battery charger selection

- Standard 1.8 A = **S**
- US version 1.8 A = **S_US**
- Quick 4.0 A = **Q**

Battery charger

The versions with auxiliary drive (RWA) are delivered with a battery charger. Choose from **Type S**, **Type S_US** or **Type Q**. Both battery chargers can be ordered as an accessory.

Versions as per customer's request

- Individual dimensions of table size
- Individual ball spacing
- Height adaptor for adjusting the stroke range
- Widened lateral die guide
- Lateral separator plates, can be lowered

Please contact us.

Accessories

see page 5

Optional equipment

see page 6

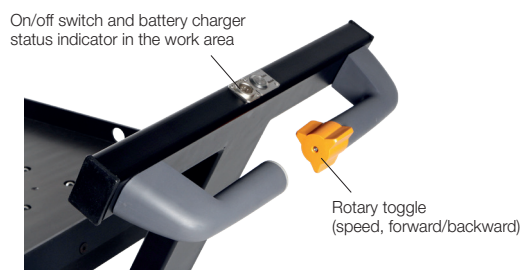
Auxiliary drive

All elements of the auxiliary drive are integrated in the front axle: the electric motor including gear, long-life batteries with high energy density and a power control for optimum control of the motor.

An integrated level compensation ensures an optimum contact pressure of the drive wheel on the hall floor.

A cover protects the drive against jolts and splash water. The high drive torque of the electric motor (17 Nm/20 daN) facilitates considerably the movement of the changing cart.

The ergonomic handle consists of two solid handles; speed and direction of the drive can be controlled by means of a rotary toggle on the right handle.



Technical data auxiliary drive

Running performance	[km]	2 with full load 5 with average load
Displacement speed	[km/h]	2 forward 1 backward
Charging time (approx. 90 %)	[h]	1.5 to 3 (depending on battery charger)
Battery		24 V DC, Ni-MH, 140 Wh (6 Ah)

Die changing carts RW/RWA 1000-B with attached bridge

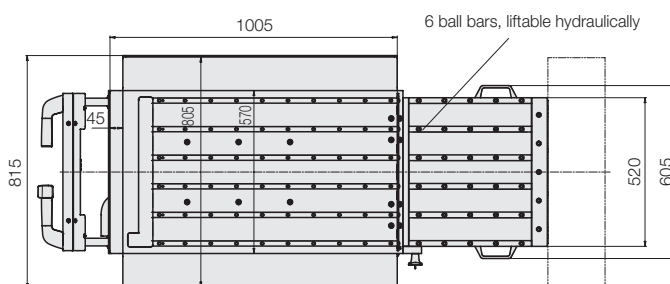
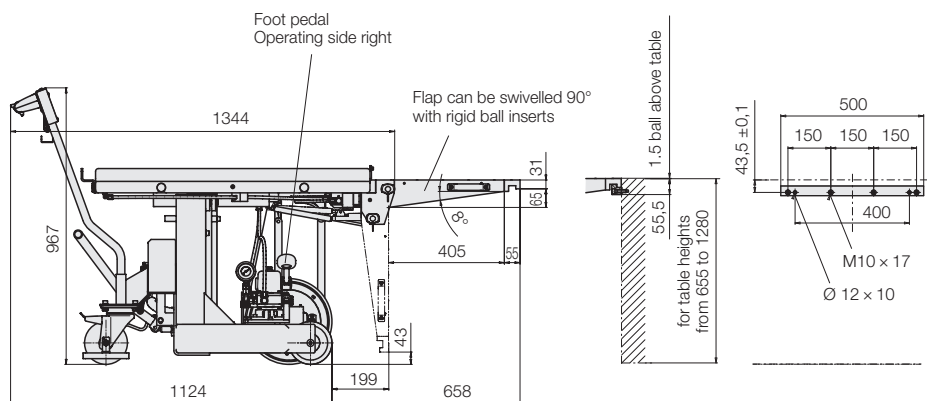
Technical data • Dimensions

Die changing carts RW/RWA 1000-B with attached bridge

Die changing carts RW/RWA 1000 are available as versions with attached bridge. The changing table is equipped at the front with a bridge and docking bar for docking onto the press bed. Colliding edges on the press bed can thus be easily bridged to facilitate the insertion of dies. During the transport, the ball bars are always lowered and the die is protected against movement. Only when the bridge is horizontally aligned and the docking bar is docked can the hydraulic inserts be lifted using the foot pump and the die safely pushed onto the press bed.

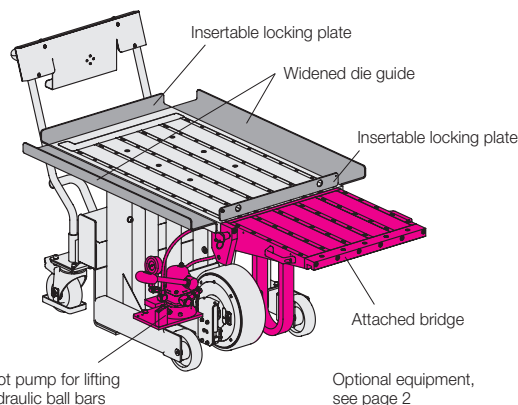
The foot pedal for lowering the hydraulic bars in the bridge can be operated either on the right or left.

Dimensions



Part numbers

Table size	Operating side	Auxiliary drive	Part no.
1005 × 805	Right	Without	88914 1000
1005 × 805	Left	Without	88914 1001
960 × 570	Right	Without	88914 1002
960 × 570	Left	Without	88914 1003
1005 × 805	Right	With	88914 1100
1005 × 805	Left	With	88914 1101
960 × 570	Right	With	88914 1102
960 × 570	Left	With	88914 1103



Delivery:

- Changing cart with bridge
- Changing table with hydraulic ball bars
- Docking bar 78914 0003 incl. fastening material (1 pc.)
- Insertable side and front bars
- Foot pedal for hydraulic lifting of the roller bars in the changing table (foot pedal operating side on the right in the direction of motion)
- Auxiliary drive can be retrofitted

Docking bar (1 pc.) extra
Part no. 7 8914 0003

Accessories

see page 5

Optional equipment

see page 6

Versions as per customer's request

- Individual dimensions of the table size and bridge
- Roller bars instead of ball bars
- Individual roller/ball spacing
- Height adaptor for adjusting the stroke range
- Foot pedal on left side (in direction of motion)
- Widened lateral die guide
- Lateral separator plates, can be lowered
- with auxiliary drive

Please contact us.

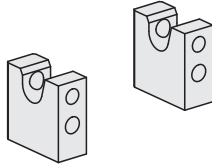
Accessories

Docking hooks

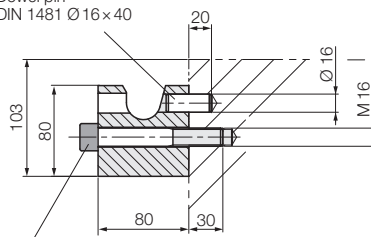
Docking hooks ensure precise locking of the die changing cart on the press bed. The ball bars are lifted by successfully docking both hooks, allowing the die to slide onto the machine table with minimal resistance.

(1 set = 2 pcs.)

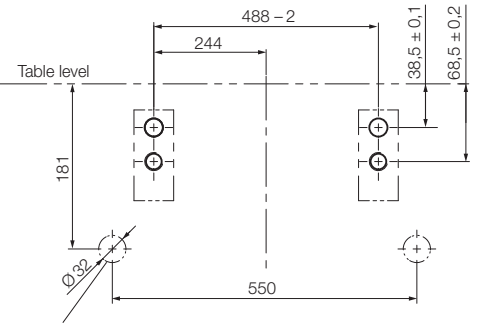
Part no. 789130001



Dowel pin
DIN 1481 $\varnothing 16 \times 40$



Socket head cap screw
DIN 912 - M 16 x 110 - 8.8
Ma = 120 Nm

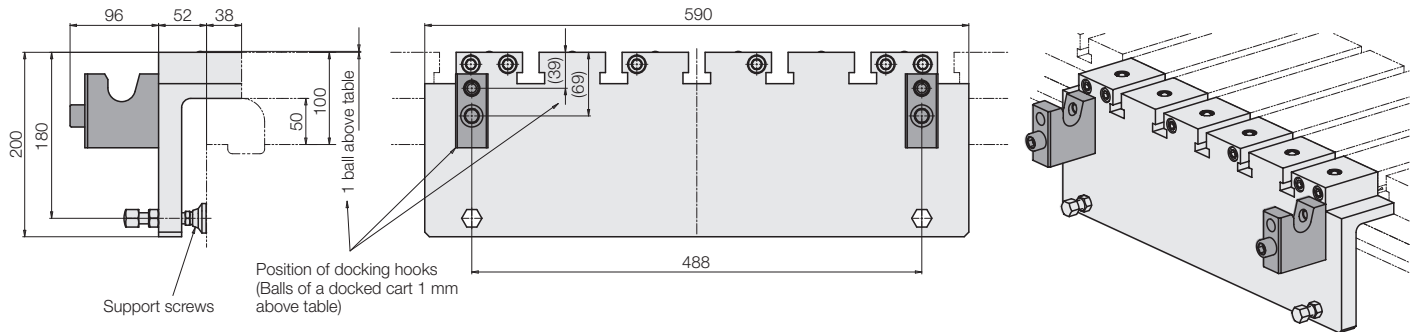


Position of the support points (2x)
of the changing console
on the machine table

Dimensions are valid for the feed height of
the die 1.5 mm above the machine table

Adaptor plate with docking hooks

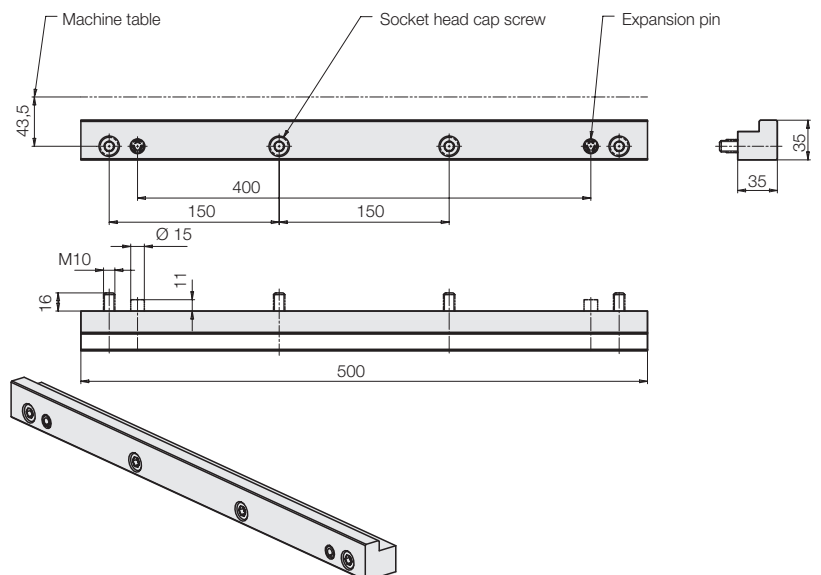
Part no. 789130071



Docking bars for cart with bridge

To achieve the exact insertion height on the press bed, the changing cart bridge and press bed are fitted with screwable docking bars. One docking bar on the bridge and an additional one for the press bed are included in the delivery.

Part no. 789140003



Battery chargers

Type S = Standard 1.8 A

100 ... 230 VAC, 50/60 Hz
Charging time 3 h (approx. 90 %)

Part no. 789130013

Type Q = Quick battery charger 4.0 A

100 ... 230 VAC, 50/60 Hz
Charging time 1.5 h (approx. 90 %)

Part no. 789130015

Type S_US = US version 1.8 A

120 V/60 Hz alternating current

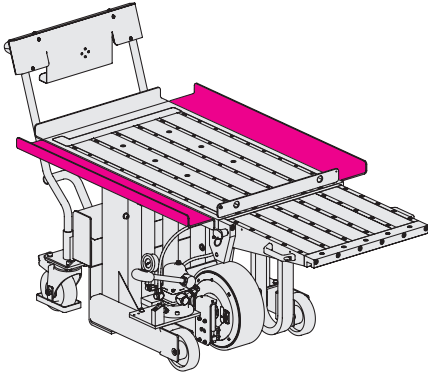
Part no. 789130056

Optional equipment upon request

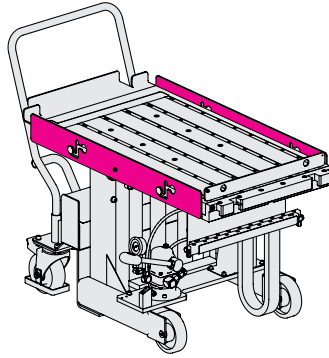
Optional equipment for the changing table

(upon request)

- Widened lateral die guide



- Lateral separator plates, can be lowered



Without figure:

- Individual dimensions of table size
- Individual ball spacing
- Height adaptor for adjusting the stroke range