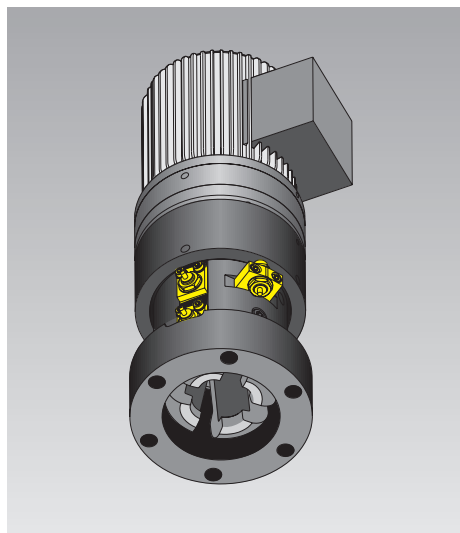




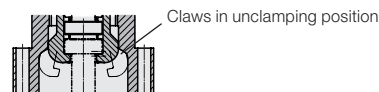
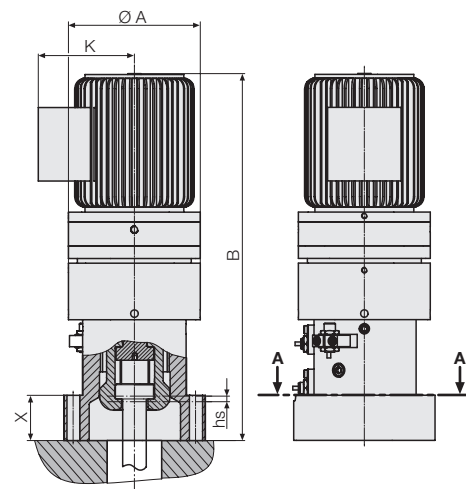
Tenon-Type Clamps

electro-mechanical, self-locking, with position monitoring
clamping forces 70 kN



Advantages

- High operational safety by position monitoring and automatic motion sequence
- Central operation of all clamping elements
- Compact and sturdy design
- Resistant to high mechanical loads
- Shock-resistant up to a max. ram acceleration of 12 g
- Suitable for retrofit and for installation in original equipment
- No colliding edges when inserting the dies



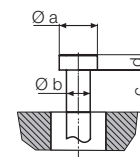
Application

- Automatic clamping of dies
- on the press ram
- on blank holders
- at environmental temperatures up to max. 70 °C

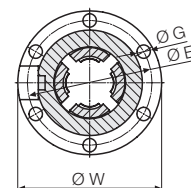
Description

The rotation of the motor is converted into a grip and pull movement of the clamping claws by the flexspline gear and the lead screw. For clamping, the claws grip the tenon of the clamping point and pull it towards the clamping element. The clamping force and the clamping and unclamping positions are monitored by inductive proximity switches. The clamping force is maintained by self-locking.

Geometry of the tenon

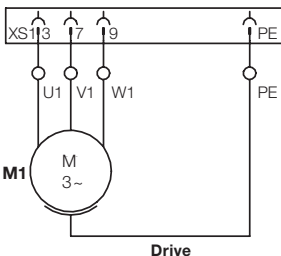


Section A-A

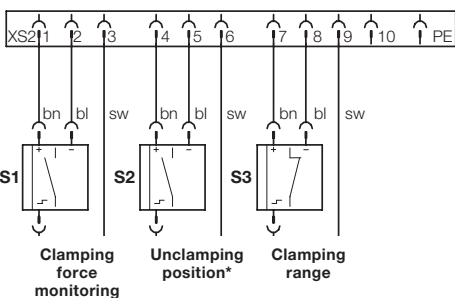


Terminal connections

HAN 3 HvE



HAN 10 E



¹⁾ in *-position not actuated (negate signal in the control)

Technical data

Clamping force	[kN]	70
Max. static force	[kN]	110
Clamping speed	[mm/s]	3.8
Motor voltage	[V/Hz]	400/50
Motor rating	[kW]	0.55
Nominal current motor	[A]	2.1
a	[mm]	40
b	[mm]	25
c	[mm]	42
d	[mm]	16
A	[mm]	140
B	[mm]	390
E	[mm]	130
G	[mm]	14
Clamping stroke hs	[mm]	5
K	[mm]	102.0
W	[mm]	150
X	[mm]	48
Part no.		826230101

Other T-slots, clamping dimensions, clamping forces and motor voltages are available on request.